



## 1. Brief Introduction

IOT5302MW-3.3ET module is Mifare readable and writer module based on 13.56MHz frequency, and compliant with ISO14443A standards, which can operate Mifare1K,4k, Mifare Ultralight data to be read and written, and read only UID of all other kinds of ISO14443A series cards

With the characteristic of easy used, high reliability, multi ports and small in size, etc, which enable user can integrate it in all kinds of current popular IC card technology quickly and conveniently

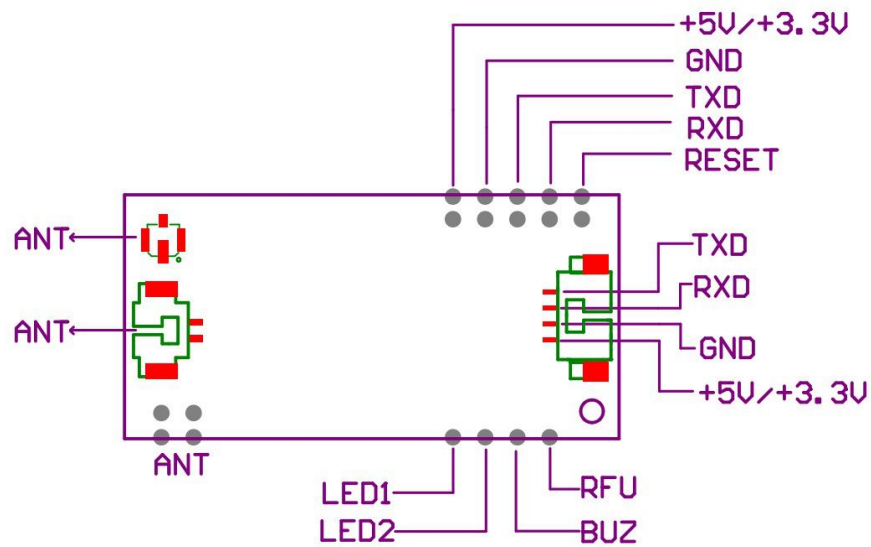
## 2. Key Features

- 5V or 3.3V low power consumption optional
- R/W ISO14443A Mifare Classic cards
- Read only all ISO14443A standard cards
- Available with R/W NTAG203,NTAG205,NTAG213, NTAG215 tags
- External LED & Buzzer available
- Compact in size & comprehensive interface
- Easy integrated to all kinds of data terminal device
- Multiple connection ways available
- Providable with testing demo& driver under Android system

### 3. Typical Application

- Portable device
- Time attendance
- Android device
- Automatic fare collection
- Loyalty membership management
- PC power management
- Logical access management

### 4. Dimension&PINS



Definition:

| Signal    | IO Type   | Description   |
|-----------|-----------|---|
| +5V/+3.3V | power     | VCC   |
| GND       | GND/power | GND   |
| RXD       | Input     | UART receive side                                     |
| TXD       | Output    | UART transmit side                                    |
| LED1      | Output    | External LED control signal 1, driver circuit needed  |
| LED2      | Output    | External LED control signal 2, driver circuit needed  |
| BUZ       | Output    | External buzzer control signal, driver circuit needed |
| ANT       | Output    | External antenna                                      |
| RFU       | Output    | Reserved  |
| RESET     | Input     | reset   |

## 5. Technical Parameter

|                     |   |
|---------------------|---|
| Frequency           | 13.56Mhz  |
| Baudrate            | 9600~115200 bit/s (configurable, default 9600)  |
| Protocol            | ISO/IEC 14443A  |
| Card types          | Read and Write:<br>Mifare1K/4K,Mifare Ultralight,NTAG203,NTAG205,NTAG213,<br>NTAG215.NTAG216<br>Read only UID of all other ISO14443A series cards |
| Interface           | TTL/RS232   |
| Power               | DC 3.3V (±5%)   |
| Current             | <10mA   |
| Reading range       | 50mm (depends on tag and antenna size)  |
| Working temperature | -10°C ~ +70°C   |
| Storage temperature | -20°C ~ +80°C   |
| Dimension           | 39mmX19mmX4.7mm   |

*Remark : all relative SDK files will be provided for customers second development*

## 6. Antenna parameter

|               |                            |
|---------------|----------------------------|
| Connector     | 2.54mm pitch PIN connector |
| Dimension     | 50*35*1mm                  |
| Reading range | 5~8 cm                     |

